

# AHL Type

## 輕量化萬向銑頭

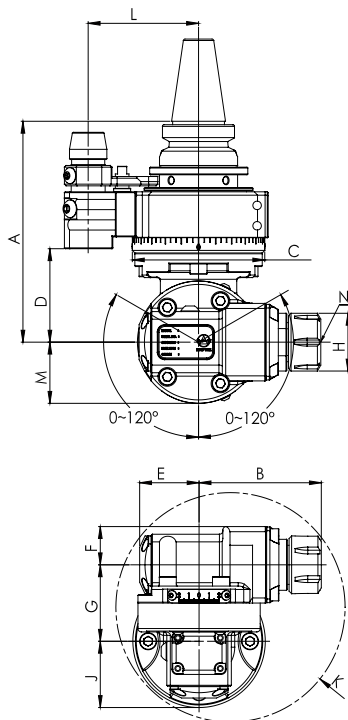
## Light Angle Head-Universal

- 0° ~ ±120°加工角度多樣化，適用於各種加工應用。
- 小型化設計、剛性高、防油、防塵佳、使用壽命長。
- 自動刀庫換刀加工，量化生產必備工具。
- 環抱型定位塊設計，可 360 度旋轉調整加工角度，並加強鎖固力道及加工角度精確性。

- Cutting angle can be set from 0° ~ ±120° for various applications.
- Compact design provides extra strength, oil-proof, dust-proof, and duration.
- Can be automatic tool changed. Increases productivity.
- Enclosed Positioning Pin: Cutting Direction can be adjusted from 0~360 degrees. It allows higher clamping torque and cutting direction could remain during the machining.

內孔偏擺度	0.002 mm
材質	合金鋼
轉速	最高 6000 RPM
扭力	最大 9 Nm
齒輪比	1 : 1
適用主軸	BT, SK(ISO), CAT
標準配件	開口扳手、ER 扳手、ER 螺帽
出力軸轉向	正轉

Run-out	0.002 mm
Material	Alloy Steel
R.P.M.	Max. 6000 RPM
Torque	Max. 9 Nm
Gear Ratio	1 : 1
Spindle Type	BT, SK(ISO), CAT
Standard Accessory	Open End Wrench, ER Wrench, ER Nut
Output Rotation	Same as Input Rotation



Unit : mm

Model No.	A	B max	C	D	E	F	G	H	J	K	L	M	N	N.W (KG)
AHL-BT30-B1.55	130	72~79	73	61.5	34.5	22.5	45	36	36.5	140	55	36	1~13 ( ER20 )	4
AHL-SK30-B1.55	139.5	72~79	73	61.5	34.5	22.5	45	36	36.5	140	55	36	1~13 ( ER20 )	4
AHL-BT30-B1.65	130	72~79	73	61.5	34.5	22.5	45	36	36.5	140	65	36	1~13 ( ER20 )	4
AHL-BT40-B1.65	130	72~79	73	61.5	34.5	22.5	45	36	36.5	140	65	36	1~13 ( ER20 )	4.5
AHL-SK30-B1.65	139.5	72~79	73	61.5	34.5	22.5	45	36	36.5	140	65	36	1~13 ( ER20 )	4
AHL-SK40-B1.65	139.5	72~79	73	61.5	34.5	22.5	45	36	36.5	140	65	36	1~13 ( ER20 )	4.5
AHL-CAT40-B1.65	139.5	72~79	73	61.5	34.5	22.5	45	36	36.5	140	65	36	1~13 ( ER20 )	4.5